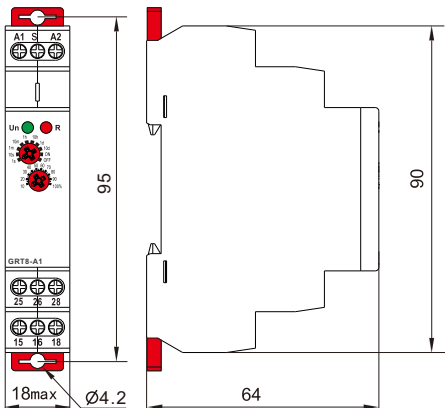




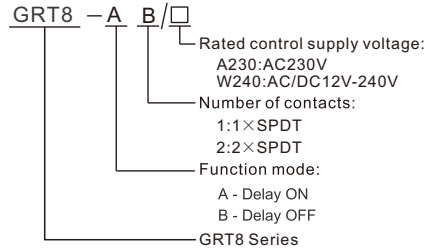
Single-function time relay

General

- Applications
 - Suitable for applications where function and time requirements are known.
 - Time switch, possible to be used for pump decay time after switching heating off, switching of fans.
- Function Features
 - Single-function relay with possibility of time setting by a potentiometer.
 - Choice of 2 functions:
 - A: Delay ON
 - B: Delay OFF
 - Time scale 0.1 s - 10 days divided into 10 ranges..
 - Relay status is indicated by LED.
 - 1-MODULE, DIN rail mounting.



Model and connotation

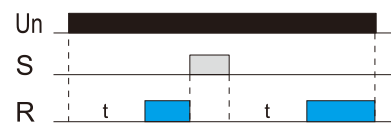


Technical parameters

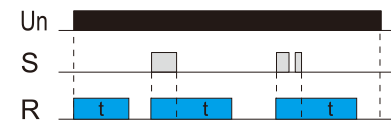
Technical parameters	GRT8-A1/B1	GRT8-A2/B2
Function	delay ON	delay OFF
Supply terminals	A1-A2	
Voltage range	AC/DC 12-240V(50-60Hz)	
Burden	AC 0.7-3VA/DC 0.5-1.7W	
Voltage range	AC 230V(50-60Hz)	
Power input	AC max.12VA/1.3W	AC max.12VA/1.9W
Supply voltage tolerance	-15%;+10%	
Supply indication	green LED	
Time ranges	0.1s-10days,ON,OFF	
Time setting	potentionmeter	
Time deviation	5%-mechanical setting	
Repeat accuracy	0.2%-set value stability	
Temperature coecient	0.05%/°C,at=20°C(0.05%°F , at=68°F)	
Output	1×SPDT	2×SPDT
Current rating	16A/AC1	
Switching voltage	250VAC/24VDC	
Min.breaking capacity DC	500mW	
Output indication	red LED	
Mechanical life	1×10 ⁷	
Electrical life(AC1)	1×10 ⁶	
Reset time	max.200ms	
Operating temperature	-20°C to +55°C (-4°F to 131°F)	
Storage temperature	-35°C to +75°C (-22°F to 158°F)	
Mounting/DIN rail	Din rail EN/IEC 60715	
Protection degree	IP40 for front panel/IP20 terminals	
Operating position	any	
Overvoltage cathegory	III.	
Pollution degree	2	
Max. cable size(mm ²)	solid wire max.1×2. 5or 2×1. 5/with sleeve max.1×2. 5(AWG 12)	
Dimensions	90×18×64mm	
Weight	1×SPDT: W240-60g,A230-59g 2×SPDT: W240-81g,A230-79g	
Standards	IEC/EN 61812-1,IEC/EN61010-1	

Functions Diagram

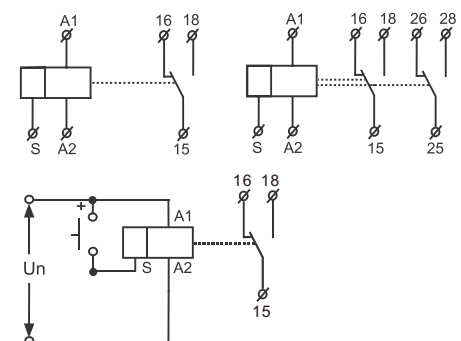
A - Delay ON



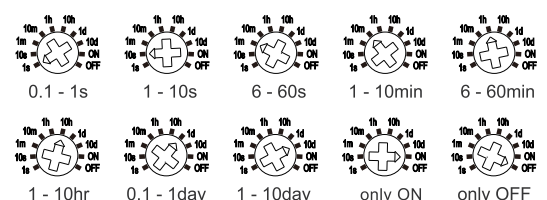
B - Delay OFF



Wiring Diagram



Time Range



NERIVAL OY

Osoite Address
PL 31
FI-02361 ESPOO
FINLAND

Puhelin Telephone
+358-9-813 4571
Telefax
+358-9-802 1386

E-mail
sales@nerival.fi
Internet
http:// www.nerival.fi

VAT-ID-number
FI 09098083
Kr nro
561.602

Pankit Banks
Nordea
Danske Bank
Alv. rek