

E-ACCESS[®]

BR-196

Bluetooth Reader



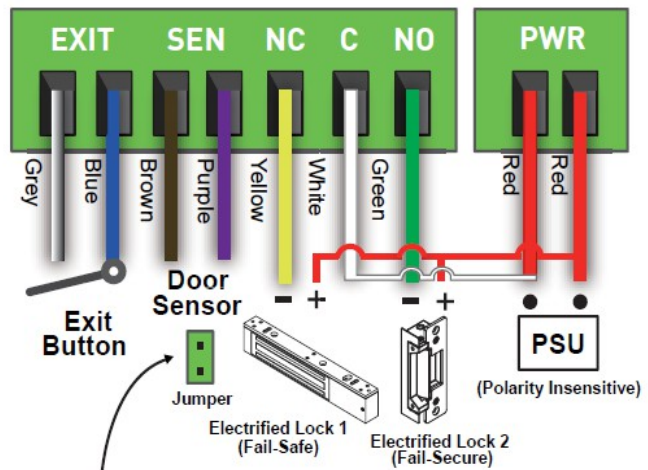
 Bluetooth



A proximity reader that connects with any bluetooth smart phone for easy and quick access anywhere.



24 VDC (Max.)
Power In



Jumper, to disable door sensor input (Factory Default)

How Does E-Access Work?

- ✓ E-Access allows users to unlock any door with a smartphone via bluetooth technology. E-Access E1196 app is a smart app, not only you can quickly control access, but also you can grant/disable access and manage users in a very quick and simple way.

Can I Use E-Access with My Existing Cell Phone?

- ✓ **YES:** As long as an existing cell phone is a Bluetooth smart phone it can be used for E-Access. You may even unlock the door while on a phone call.

How Can I Get E-Access APP on My Cell Phone?

- ✓ Download "E-Access E1196" App



Features & Spec's:

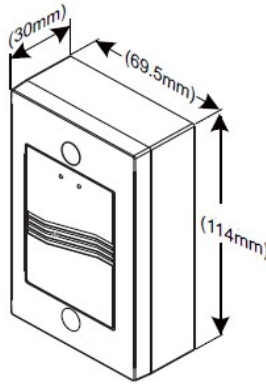
- Power: 12 to 24 VDC, 50mA, 1W.
- Surface mounted and anti-tailgate protected
- Bluetooth low energy 4.0 standard
- Operating and Proximity Range (AUTO):
Up to 50 meters (Hands-free and Configurable)
- Relay current: 5A max
- Operating temperature: -10° to + 40 °C
- Bi-stable relay:
When you select to enable Bi-stable function, you can press down the E button for few seconds to activate and keeps the door unlocked indefinitely.
- LED lights:
 - Blue (Bluetooth is active)
 - Green (Unlock status)
 - Red (Power reset – Administration for the Master to reset)
- Buzzer: Ideal to warn of prolonged door open. 85dBA.
- 1 Master (Default logon password 12345). 196 Users.
- To reset/change the Master account, restart the power of E-Access device, and then enter the password 12345 (default) within 30 seconds.
- To skip the 30 sec wait, you may press an exit button that you may have already installed, and the LED light on the reader will then change from Red to Blue.
- E-Access device can be operated with magnetic door locks, strikes, exit buttons, door sensors, power supplies, etc.

E-ACCESS BR-196 Bluetooth Reader Instructions

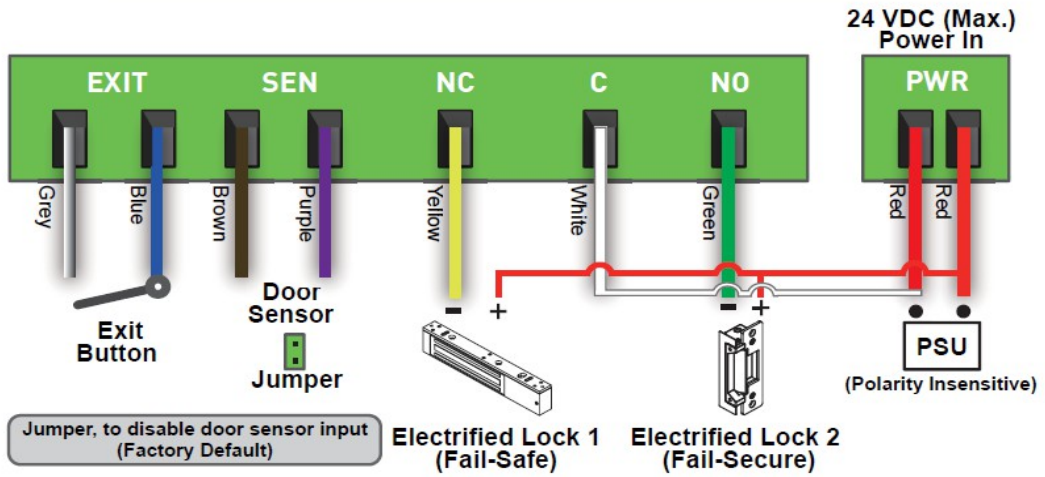
Features & Spec's

- Power: 12 to 24VDC, 50mA, 1W.
- Surface mounted and anti-tailgate protected
- Bluetooth Low Energy 4.0 Standard
- Operating distance: 50 meters
- Proximity distance: 50 meters (configurable, for handsfree)
- Operating Temperature: -10° to +40°C
- Relay current: 5A max
- Bi-stable Relay:
 - When you select to enable Bi-stable function, you can press down the E button for few seconds to activate and keeps the door unlocked indefinitely.
- LED Lights:
 - Blue (Bluetooth is active) ◦ Green (Unlock status)
 - Red (Power reset – Administration for the Master to reset)
- Buzzer: Ideal to warn of prolonged door open. 85dBA.
- 1 Master (Default logon password 12345). 196 Users.
- To reset/change the Master account, restart the power of E-Access device, and then enter the password 12345(default) within 30 seconds.
- To skip the 30 sec wait, you may press an exit button that you may have already installed, and the LED light on the reader will then change from Red to Blue.
- E-Access device can be operated with magnetic door locks, strikes, exit buttons, door sensors, power supplies, etc)

Dimensions



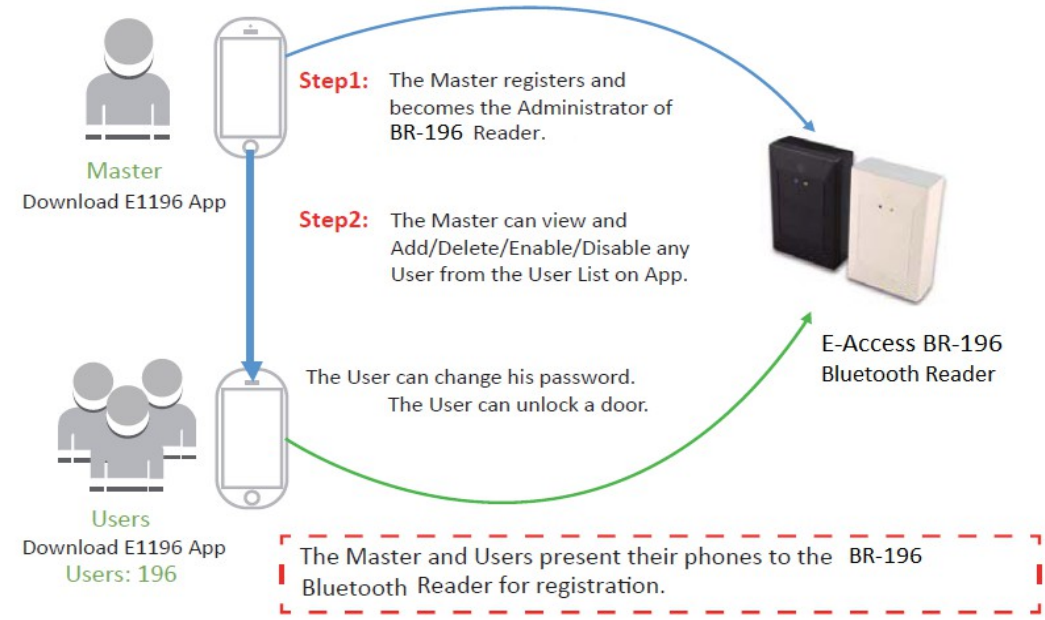
Wiring Instructions



Crimp connectors included:

Use a pair of crimping pliers designed to crimp insulated connectors.

Place the crimp connector into the compression slot. Be sure the crimping jaws are positioned over the stripped portion of the wire. Squeeze the handles together with enough force to crush the end of the butt splice.



Compatibility:

Requires Android 4.4 and up to the latest 6.0.1

Download E1196 App

Scan the QR-code to download E-Access E1196 App or Search "E-Access E1196" to download.

Getting Started With E-Access® Applications E1196 App Instructions

E-Access E1196 App Instructions:

1

Introduction of App's Main Page Profile:

Enter a Master / User name for this phone only at the first time.

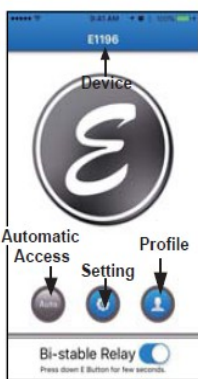
Setting:
E-Access Device Settings Page.

Device:
E-Access Device Name.

Auto:
(Automatic Access for Handsfree):
Turn ON/OFF for the Automatic Access Handsfree function.

Bi-stable Relay:

When you select to enable Bi-stable function, you can press down the E button for few seconds to activate and keeps the door unlocked indefinitely.



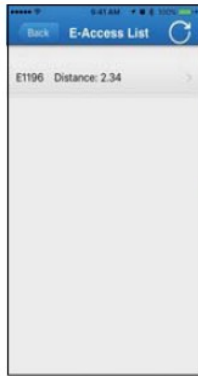
4

Master / User Logon E-Access:

Select an E-Access device from the E-Access List and enter the password given by the Master.

Logon Notes:

1. The Master / User must enter a correct Password to logon.
2. How to Reset/Change the Master account:
 - (1) Restart the power of E-Access device, and then enter the password 12345 (default) within 30 seconds.
 - (2) Next, click on the "Register" button to register, then return to the first page, and you then become the Master.



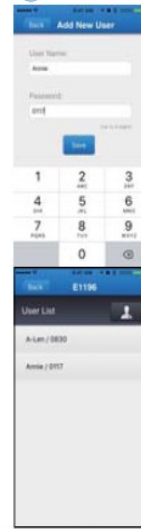
8

Add New User:

Add User Name:
The Master enters a User name. The User name must be the same as shown on the User profile of the app.

Password:
The Master assigns a password for the new User to register on E-Access system.

The new user will be shown on the User list.



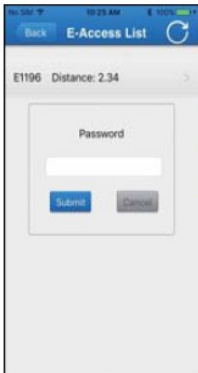
5

Master / User Logon E-Access:

Select an E-Access device from the E-Access List and enter the password given by the Master.

Logon Notes:

1. The Master / User must enter a correct Password to logon.
2. How to Reset/Change the Master account:
 - (1) Restart the power of E-Access device, and then enter the password 12345 (default) within 30 seconds.
 - (2) Next, click on the "Register" button to register, then return to the first page, and you then become the Master.



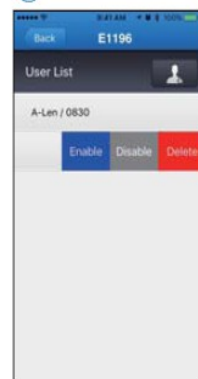
9

Master can slide from right to left so a User can be Enabled /Disabled/Deleted by the Master.

Enable:
Enable a User account.

Disable:
Disable a User account.

Delete:
Delete a User account.



2

Click on the device name (e.g.E1196 as shown) and pull down all the available E-Access devices around you.

You can select a device from the list as shown, or you can press "Auto" in the list so that E-Access will operate with the closest E-Access device around you.



6

Master Setting Page:

Register:

You must click on Register button to complete registration before opening the door by your phone.

User List:

Only the Master can view/enable/delete all the Users and view User passwords.

Settings:

E-Access settings include Proximity read range, Device name, Relock time, Max of Incorrect PIN Attempts, and Delete all Users.

Backup:

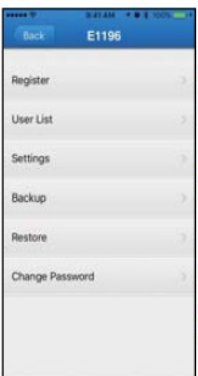
Backup all Users data from the device.

Restore:

Restore the last backup data.

Change Password:

We recommend changing Master's password right after you reset/change the Master account. (Default Master password:12345)



10

Settings Page

E-Access Name:

Edit your name for your E-Access device.

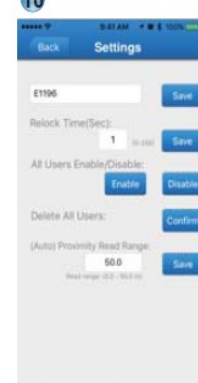
Relock Time (sec):
Set the time for relock time.

Max of Incorrect PIN Attempts:
Maximum Incorrect PIN entries when used with keypads.

Enable/Disable All Users:
Enable or disable all User accounts except the Master.

Delete All Users:
Delete all User accounts except the Master.

Proximity Read Range:
Set proximity read range for E-Access Auto access for Handsfree. ("0" means no limits.)



3

Enter personal name.



7

User List:

All authorized Users can be viewed on the User List. Click on **+** to add a new User.



Scan the QR-code to download E-Access E1196 App or Search "E-Access E1196" to download.

