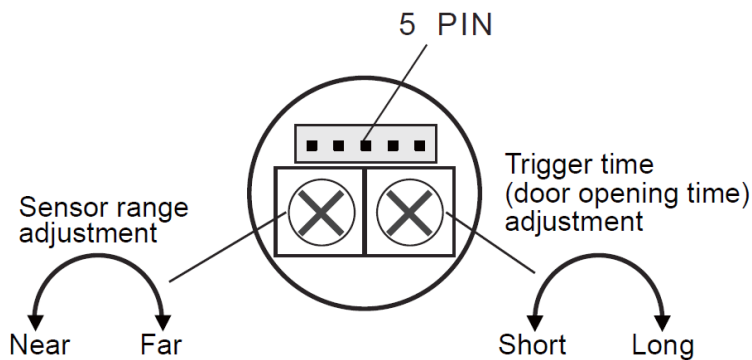


### Specifications

- Operating Voltage: 12~24VDC
- Current Draw: Pull in 40mA/12VDC; Holding 30mA/12VDC  
Pull in 50mA/24VDC; Holding 25mA/24VDC
- Sensor range: 120mm max.
- Relay Rating: 1A/30VDC maximum
- Operating Temperature: -10~+70°C
- Ambient Humidity: 5~95%
- Dual LED, illuminated sensor indicates status:
- Standby (Red), Active (Green)
- Output Time: 0~20 seconds, toggle  
\*Toggle: turn all the way clockwise
- Faceplate Finish: Stainless steel



### Adjusting Sensor Range & Trigger Time



Note: Adjusting door opening time to maximum (turning all the way to the right) will set the switch to toggle mode.

### Dimensions & Wiring

