

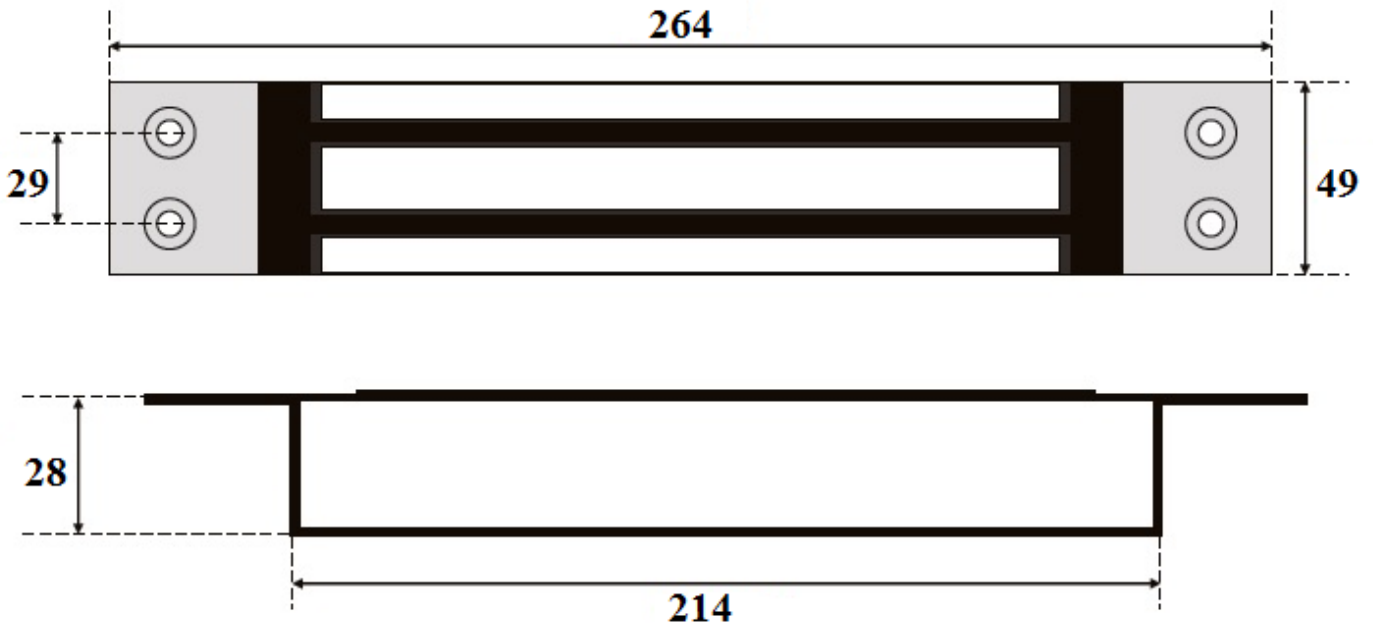
Ovimagneetti Ner 4000U

(uppoasennus)

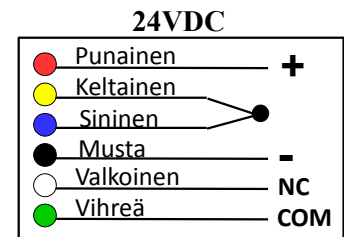
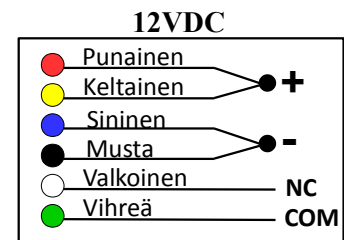
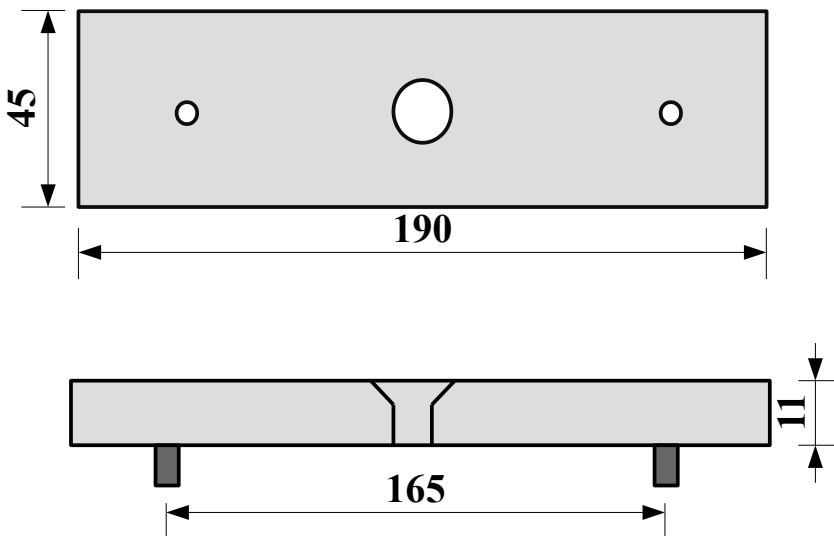
Pitovoima	Yli 3800 N (1 kg = n. 10N) ei jälkimagnetismia.
Rakenne	Anodisoitu alumiini
Mitat	Magneetti 264x 49x 28mm Vastarauta 190x 45x 11 mm
Syöttöjännite/ Virta	12VDC/ 500 mA 24VDC/ 250 mA.
Rele ulostulo	Potentiaalivapaa kosketin 0,5A/ 30 VDC.
Ulostulo johtimet (N.O-kytkentä)	Valkoinen ja vihreä kytkeytynyt, lukitus kiinni. Vastaraudan tunnistus perustuu Hall-ilmiöön, josta saadaan tilatieto esim. valvomoon.

HUOM!!! Ohjaus ja hätäavaus (+) johtimen kautta !!!

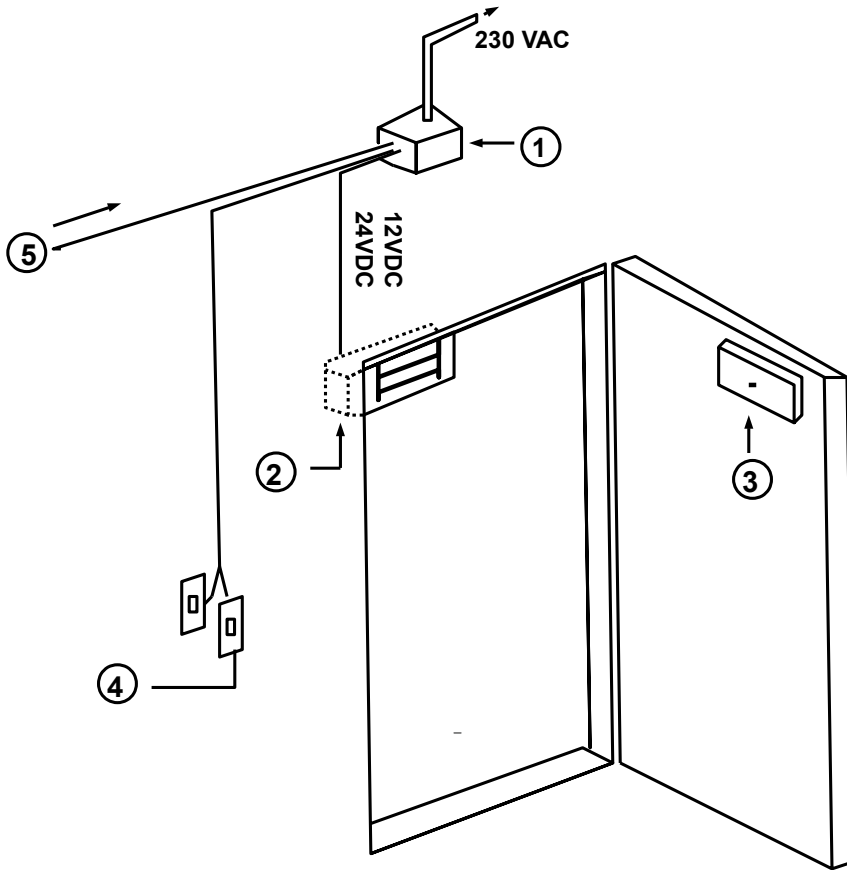
Magneetti



Vastarauta

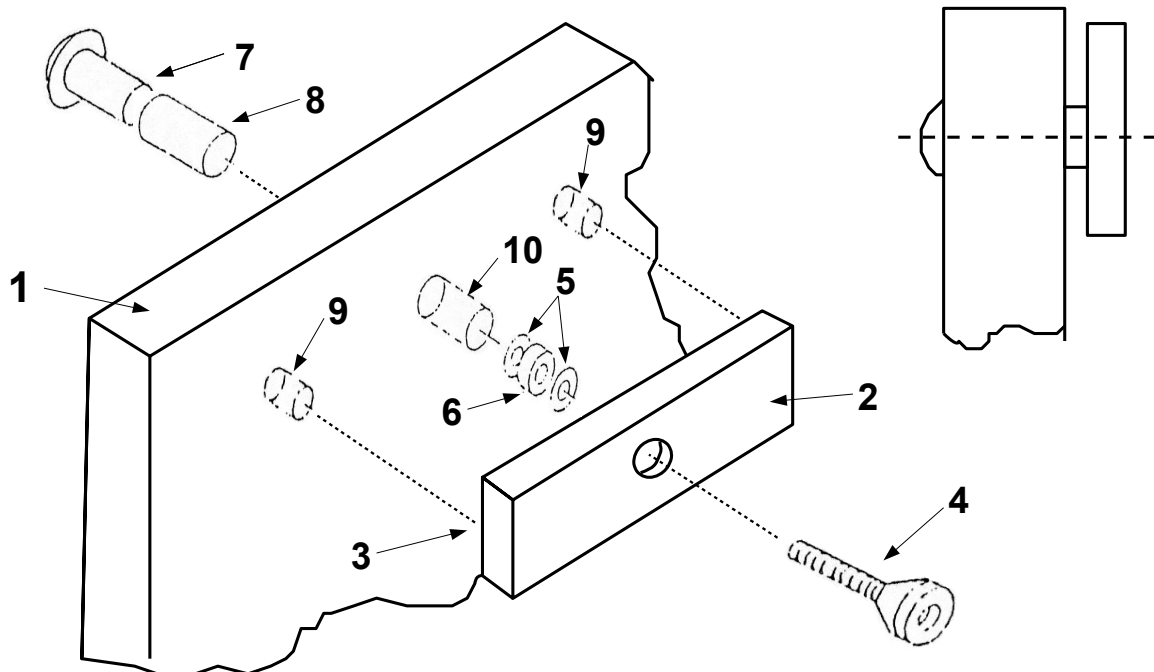


ASENNUKSEN PERIAATEKAAVIO



1. Jännitelähde
2. Magneettilukko
3. Vastarauta
4. Ovikohtainen aukaisupainike, kortinlukija tms.
5. Keskitetty ovenohjaus esim. valvomosta

VASTARAUDAN ASENNUSOHJE



1. Ovi
2. Vastarauta
3. Vastaraudan ohjaustapit
4. M8 pultti kumilla
5. Aluslevyt
6. Kumiholkki
7. Mutteri holkilla
8. Oviholkki
9. Reikä ohjaustapeille $\varnothing 6\text{mm}$
10. Reikä oviholkille $\varnothing 12\text{mm}$

HUOM! Vastaraudan asennus vaihtoehtoisesti metalliprofiiliin esim. niittimutteri M8 avulla.

User Manual



Read the manual before usage and keep for future reference.

1. Specification

Model	Size(unit:mm)	Voltage	Current	Hoding Force	Lock Signal	Door
Ner 4000U	264x49x28mm	12/24VDC	12V/500mA 24V/250mA	380kg	Yes	Single

2. Introduction

By using the principle of electromagnetic, when current passes trough the silicon steel sheet, magnetic locks will produce powerful suction, therby helpsto tighly absorb iron plate. Two types of input voltage 12VDC and 24VDC.

3. Product Parameter

Size: 264L x 49W x 28H (mm)

Armature plate dimensions: 190L x 45W x 11H (mm)

Holding force: 380kg

Input voltage: 12/24VDC $\pm 10\%$

Current: 12VDC/500mA 24VDC/250mA

Surface temp: $< 20^{\circ}\text{C}$

Suitable for: Wooden doo, glass door, metal door, fireproof door

Operating temp: $-10 - +40^{\circ}\text{C}$

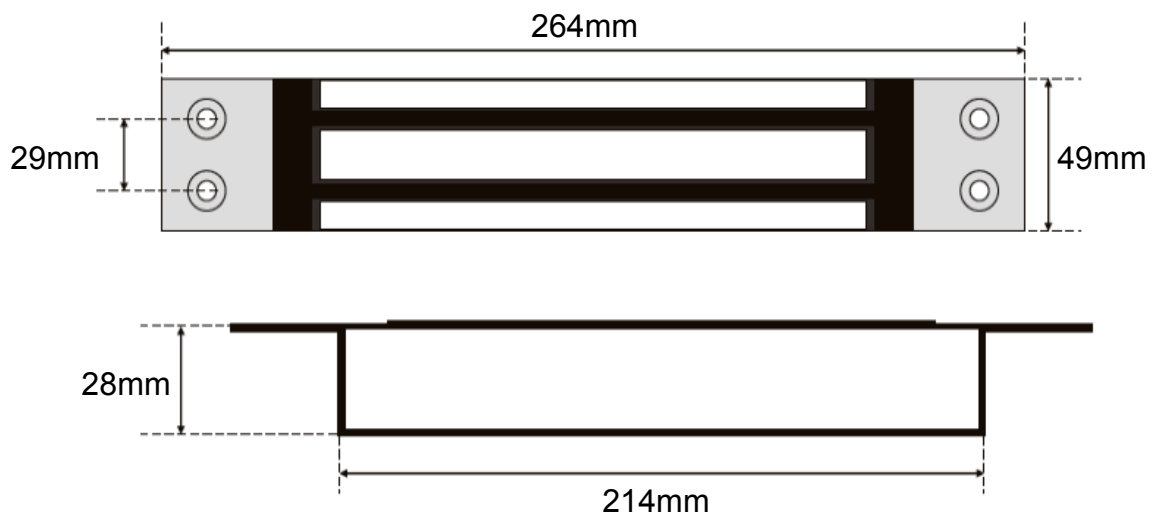
Humidity: 0-90% (non condensing)

Cover finish: Anodized aluminum

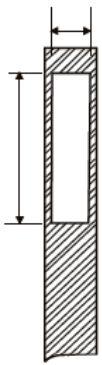
Lock finish: Zinc

Armature plate finish: Zinc

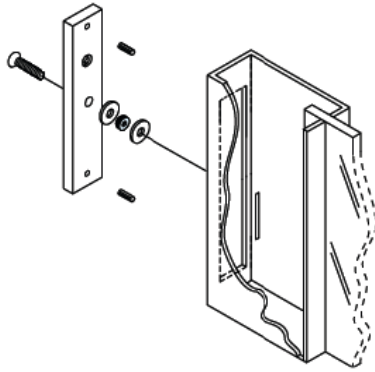
4. Product Dimension



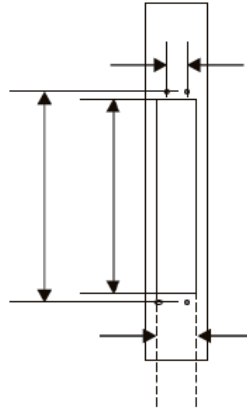
5. Installation



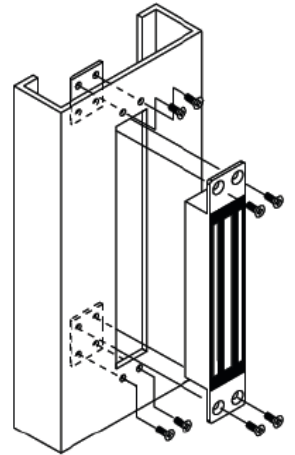
1. Dig the hole



2. Fix screws



3. Dig the hole



4. Fix screws

NOTES:

Please read specification before installing magnetic lock.

A. Handle the equipment carefully. The holding force can be reduced by damaging the lock body or armature plate.

B. The magnetic lock should be fixed tightly on the door frame and the armature plate on the door leaf. Kit provided allows the armature plate to pivot its center, thus compensating misalignment caused by other factors.

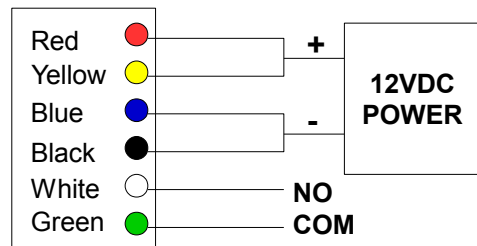
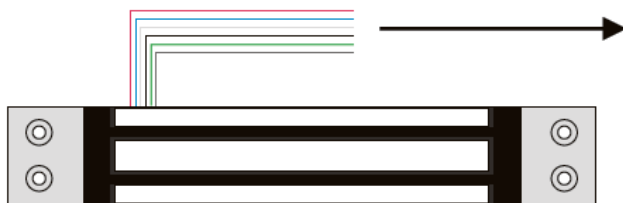
C. Template can only be used with the door in normally closed circumstance.

D. Please fix screws of magnetic lock firmly.

E. Detect signal of door state: the limit of reed switch and dry contact is 0.5A/30VDC. Don't overload.

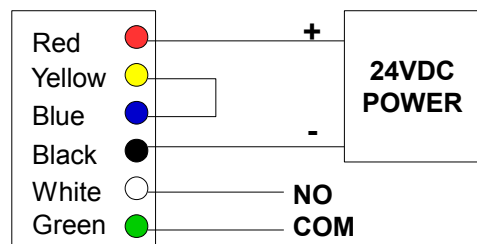
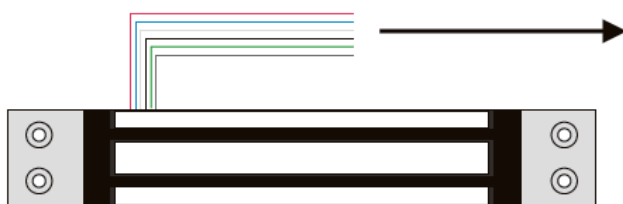
6. Wiring of Lock

12VDC: Connect Red and Yellow wire as Positive pole "+"
Connect Blue and Black wire as Negative Pole "-"



Picture-1

24VDC: Red wire is Positive pole "+", Black wire as Negative Pole "-"
and connect Yellow and Blue wires together.



Picture-2